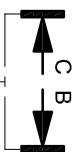
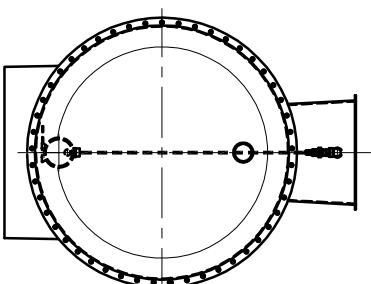
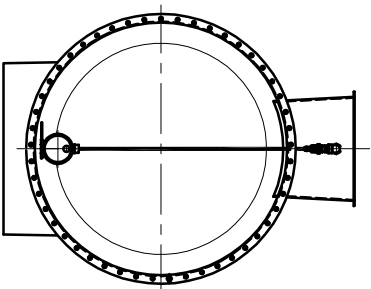


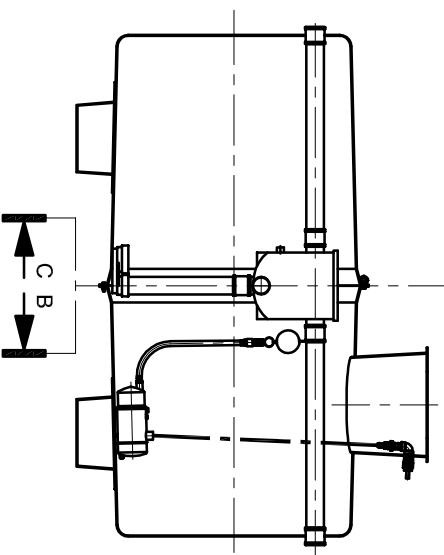
END VIEW ON PUMPED OUTLET PORT



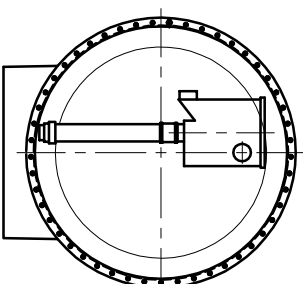
SIDE VIEW



SECTION B-B



SECTION A-A



SECTION C-C